

Installation Instructions

Congratulations on your purchase of a TACO Marine Adjustable Gunnel Mount Filet Table!

The Adjustable Gunnel Mount Filet Table is available in 20" and 32" widths. These tables feature a convenient knife and plier holder, and the adjustable tilt allows for desired position on rod holders of 0°, 15° and 30°. Designed openings around the table surface allow for drainage overboard when cleaning fish. The rugged, easy-grip handle adjusts with a single turn and folds flat for convenient storage. To withstand the harsh marine environment, these tables are made of durable, FDA-approved, UV-stabilized, high-density polyethylene.

ASSEMBLY

- 1) The tilt mount comes as an entire assembly. It is attached with four (4) flat, Phillips head screws.
- 2) Pass the supplied bolts through the top of the table base. *(Make sure the adjustable knob faces the front of the table.)*
- 3) Install the supplied washers.
- 4) Install the supplied nuts and finger-tighten them as much as possible.
- 5) Use the adjustable wrench to hold the nuts secure.
- 6) Tighten the screws from the top surface of the table using the Phillips head screwdriver. *(Be careful not to over-tighten and strip the bolt threads.)*

MAINTENANCE

- Hosing the filet table with fresh water is recommended, especially when used in a saltwater environment.
- For stubborn stains, use the same marine-safe cleanser for boats or fishing gear.
- When storing the table, loosen the adjustable mount assembly.
- Lay it flat on the table with the bracket assembly loose to eliminate unneeded stress.



WARNING:

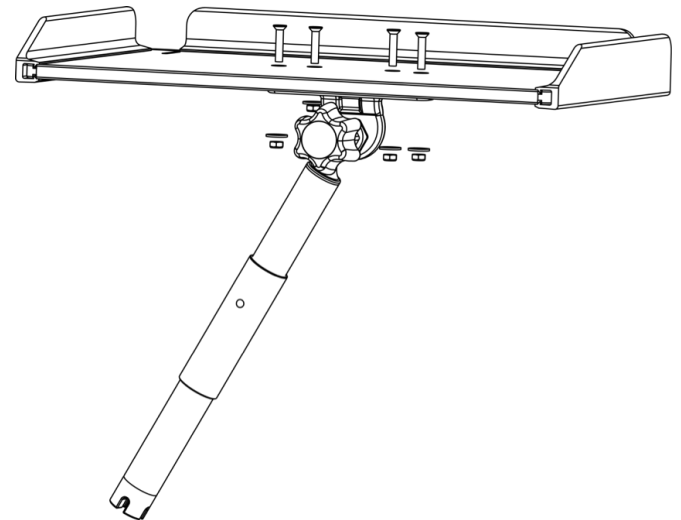
This product can expose you to chemicals including Lead, which is known to the State of California to cause cancer, birth defects or other reproductive harm. For more information go to www.P65Warnings.ca.gov.

Box Includes

- TABLE TOP ASSEMBLY
- ADJUSTABLE MOUNT ASSEMBLY
- 1.25" FLAT, PHILLIPS HEAD BOLTS
- WASHERS
- NUTS

Required*
***not included**

- ADJUSTABLE WRENCH
- PHILLIPS HEAD SCREW DRIVER



Explore our entire line of Poly Accessories by visiting our Website tacomarine.com.

Also, discover a library of exciting how-to videos and more on our popular YouTube channel [youtube.com/tacomarine](https://www.youtube.com/tacomarine).